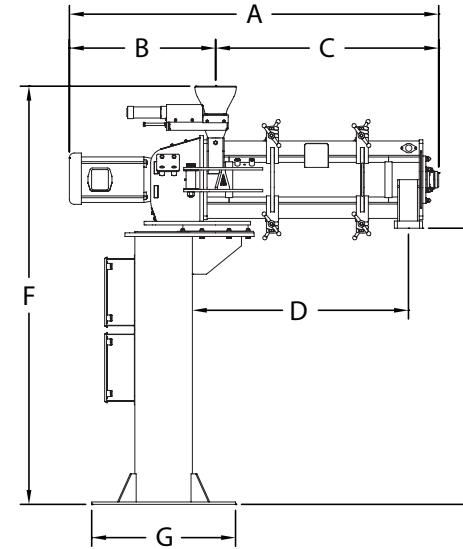


MEZCLADO DE ARENA

Mezcladores Continuos Series TOM

GIRO			Dimensiones Estándar (pulgadas/mm)						
Modelo	Rango de salida (lb/min)	Se Requiere (460 VAC) en el servicio	A	B	C	D	E*	F	G
50 S	25-75	30 AMP	48"	23"	20"	23"	46"	67"	24"
	.68-2		1219mm	584mm	508mm	584mm	1168mm	1702mm	610mm
125 S	50-150	30 AMP	61"	26"	28"	31"	47"	73"	24"
	1.35-4		1549mm	660mm	711mm	787mm	1194mm	1854mm	610mm
250 S	100-300	30 AMP	73"	28"	41"	46"	58"	90"	26"
	2.7-8		1854mm	711mm	1041mm	1168mm	1473mm	2286mm	660mm
350 S	200-550	45 AMP	93"	34"	52"	56"	60"	94"	36"
	5.4-15		2370mm	864mm	1321mm	1422mm	1524mm	2388mm	914mm
550 S	400-1100	60 AMP	130"	38"	80"	84"	60"	106"	48"
	12.2-30		3302mm	965mm	2032mm	2134mm	1524mm	2692mm	1219mm



BANDA ARTICULADA DE 10'			Dimensiones Estándar (pulgadas/mm)							
Modelo	Rango de salida (lb/min)	Se Requiere (460 VAC) en el servicio	H@	K	L@	M	N	P*	R	S
350 A	200-550	45 AMP	177"	28"	117.7"	52"	130"	63"	98"	55"
	5.4-15 TPH		4496mm	710mm	2990mm	1321mm	3302mm	1600mm	2490mm	1397mm
550 A	400-1100	60 AMP	207"	28"	117.7"	80"	130"	64"	98"	55"
	12.2-30 TPH		5258mm	710mm	2990mm	2032mm	3302mm	1626mm	2490mm	1397mm
1200 A	800-1500	90 AMP	207"	28"	117.7"	80"	130"	60"	98"	55"
	21.8-40.8 TPH		5258mm	710mm	2990mm	2032mm	3302mm	1524mm	2490mm	1397mm
1800 A	1400-2200	150 AMP	207"	28"	117.7"	80"	130"	59"	98"	55"
	38-60 TPH		5258mm	710mm	2990mm	2032mm	3302mm	1499mm	2490mm	1397mm
3500 A	2200-4200	225 AMP	254"	28"	117.7"	108"	130"	512"	98"	55"
	60-114.3 TPH		6452mm	710mm	2990mm	2743mm	3302mm	1321mm	2490mm	1397mm

